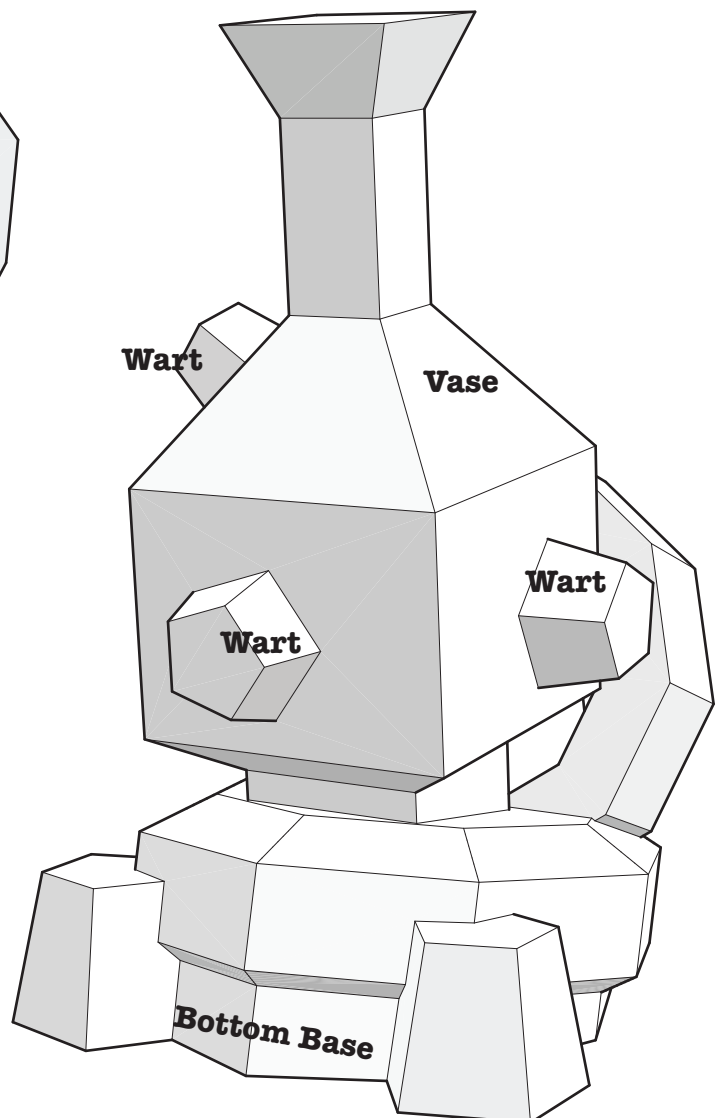
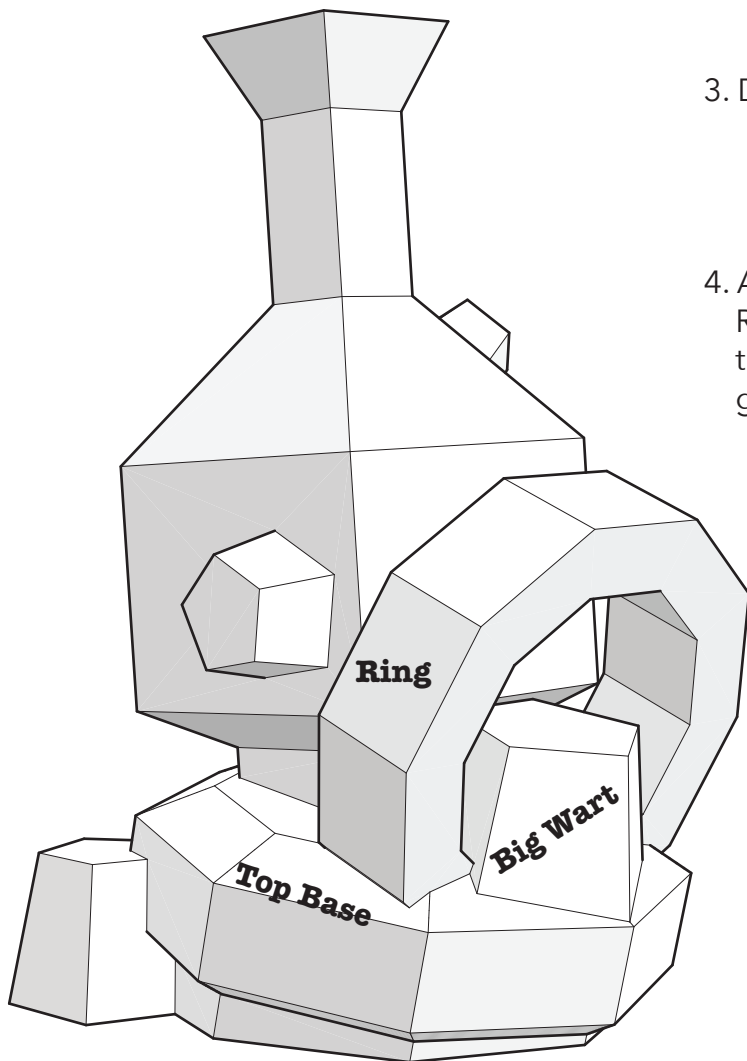
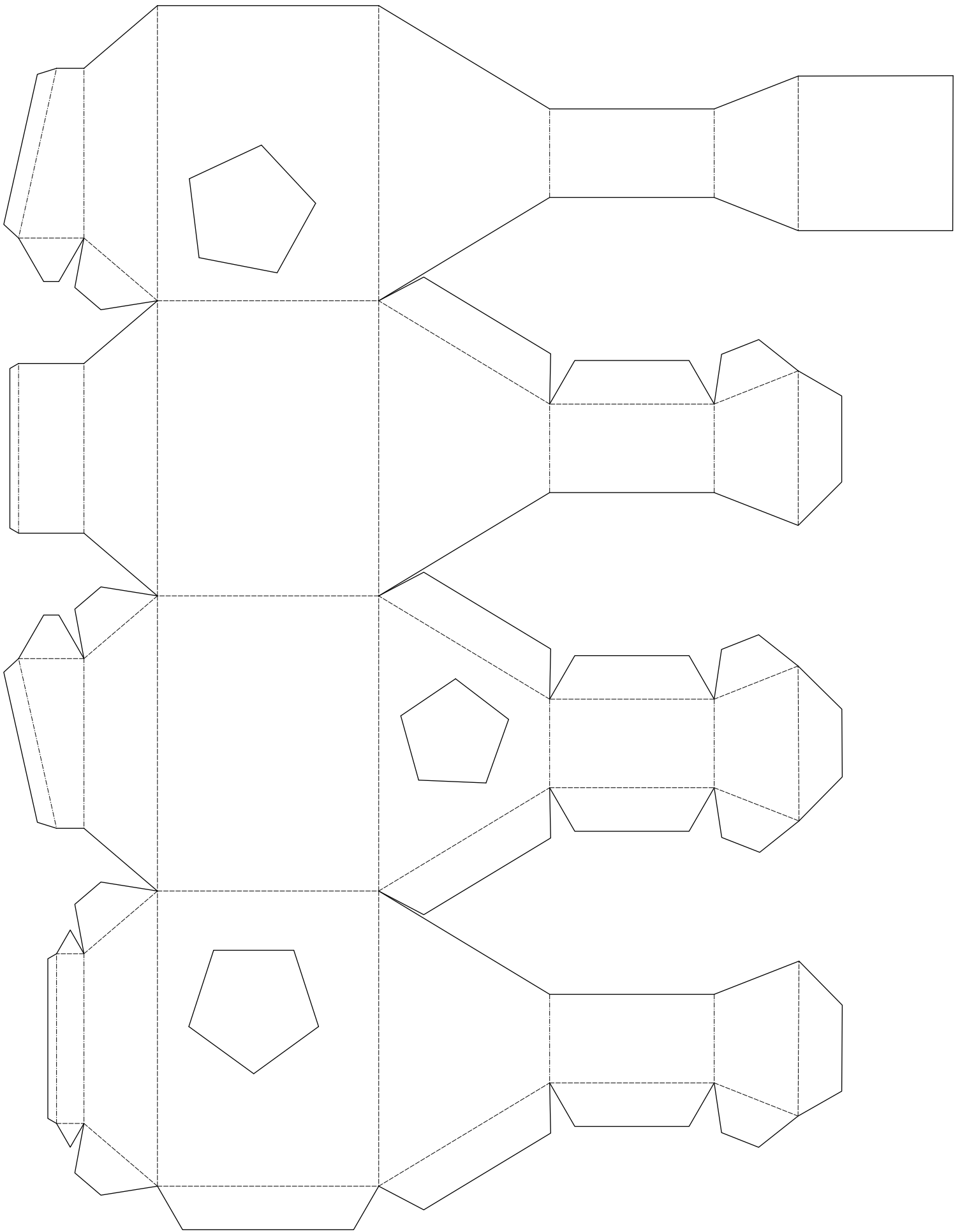


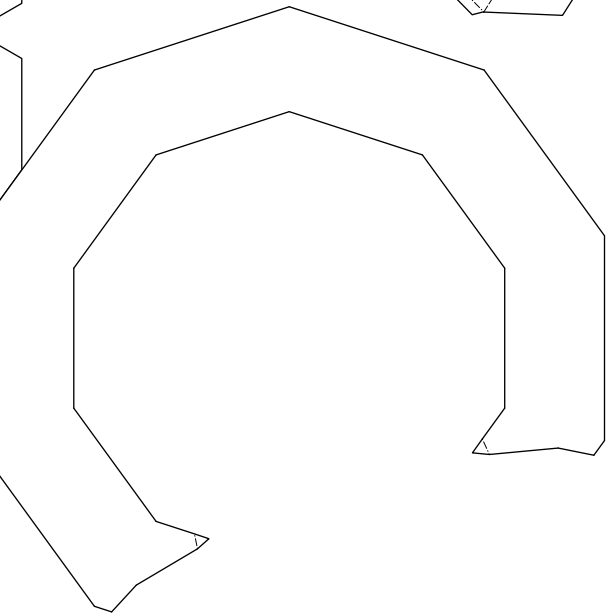
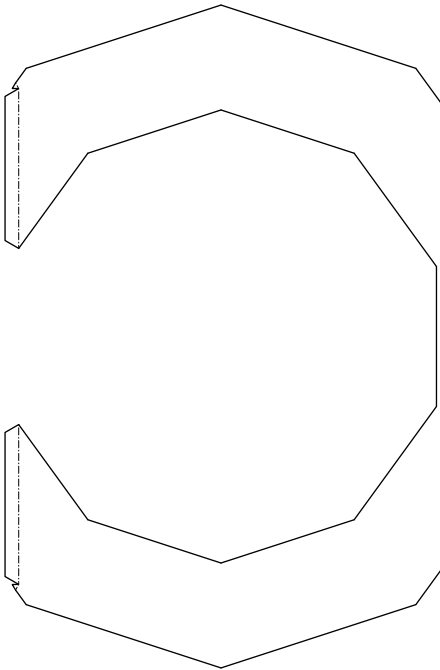
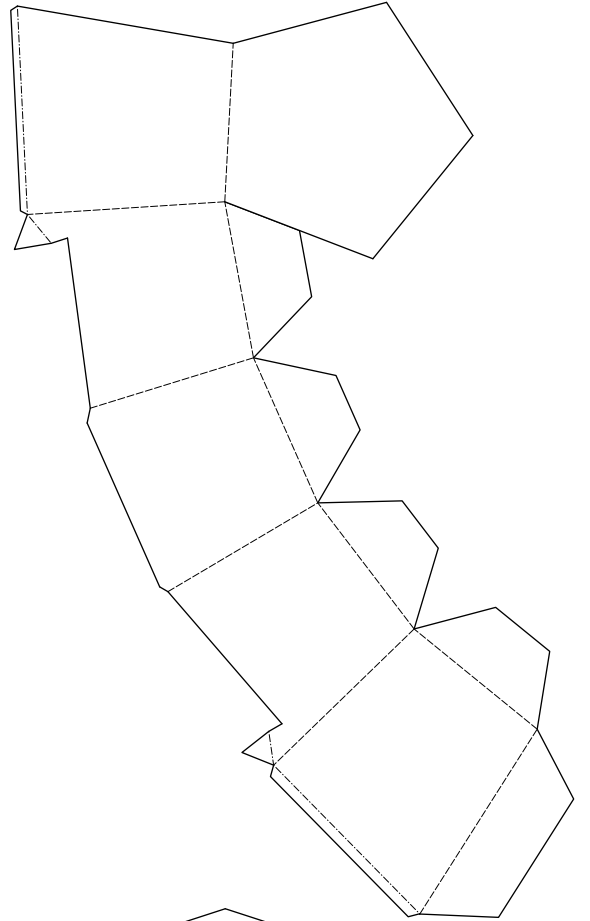
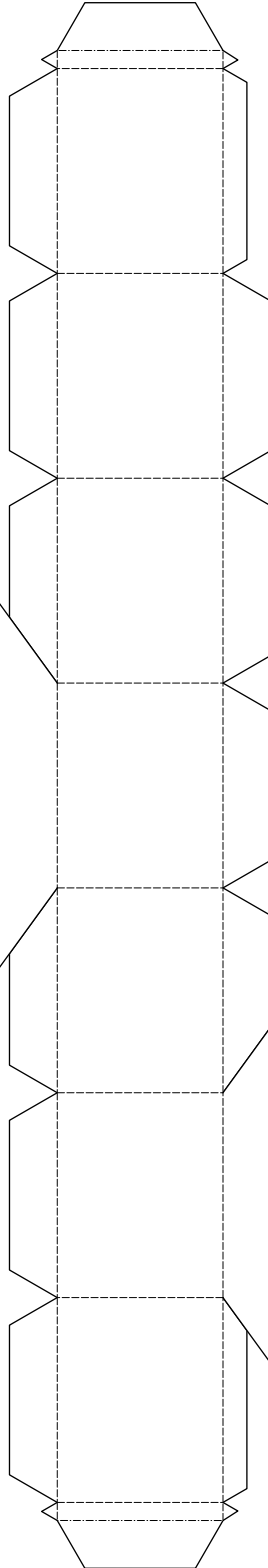
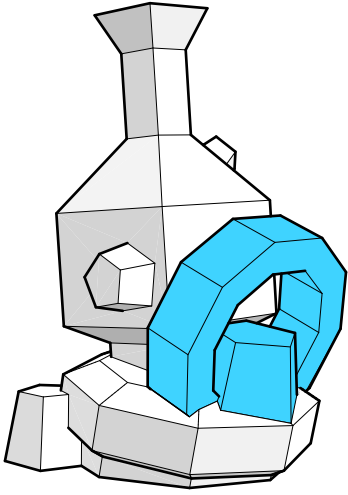
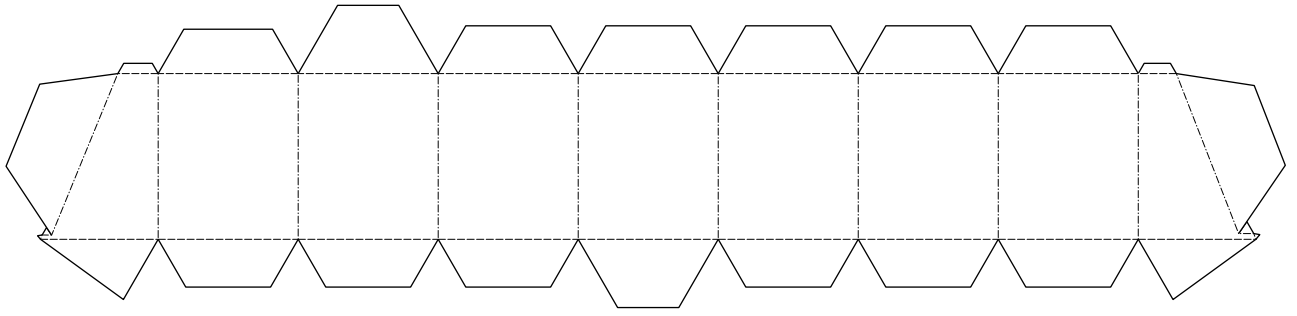
Manga Ormol u Version 2.2-a (papercraft edition) Expert Setting

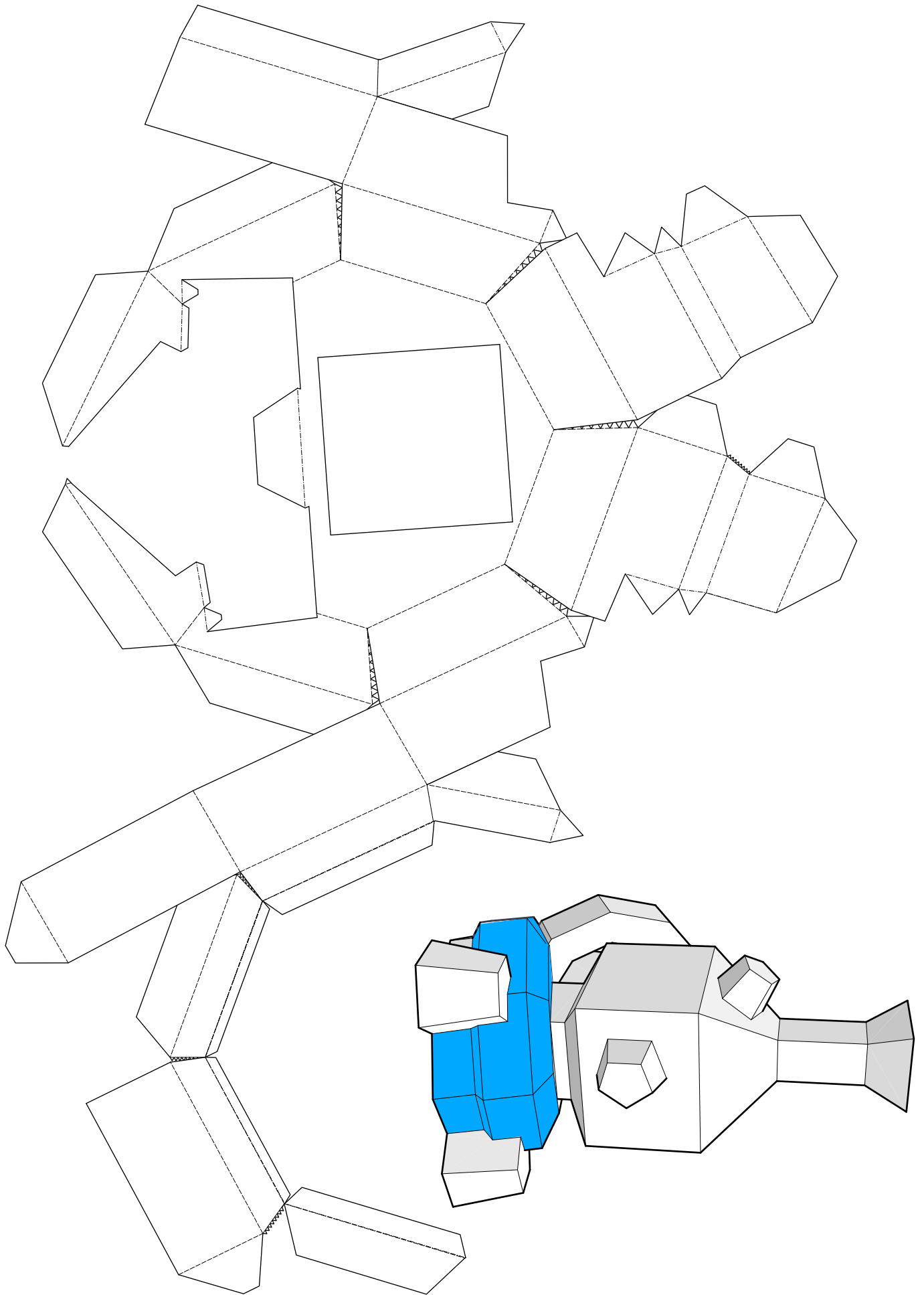
Instructions:

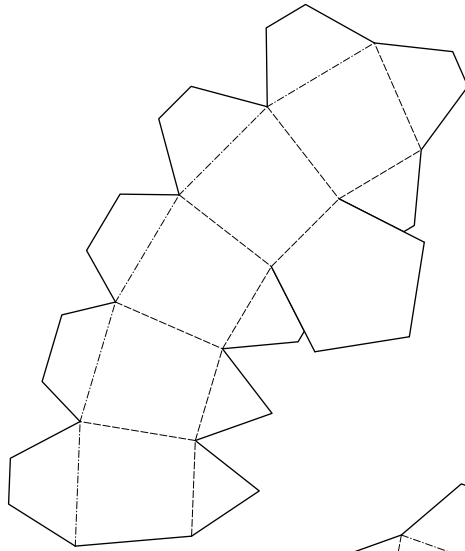
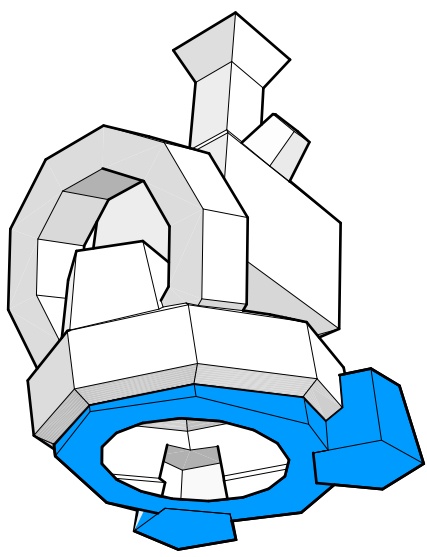
1. Print out on Card Stock
2. Cut the Solid Lines.
(I used an x-acto knife)
3. Dash lines are fold lines
(I used a bone folder but you could use the dull end of a butter knife to score but do not cut)
4. Assemble the Vase then Warts then the Ring then the Big Wart and then the Top Base then attach the Bottom Base last. I used white glue and a paint brush to assemble.











These are the warts
on the side of the Vase
form. There is a smll one
that goes on the
shoulder.

